

**BALDOR® • RELIANCE** 

**Product Information Packet**

**EM3314T-BG**

**15HP,3500RPM,3PH,60HZ,215T,3734M,OPSB,F1**

Part Detail							
Revision:	L	Status:	PRD/A	Change #:		Proprietary:	No
Type:	AC	Elec. Spec:	37WGS867	CD Diagram:	CD0005	Mfg Plant:	
Mech. Spec:	37N346	Layout:	37LYN346	Poles:	02	Created Date:	10-28-2013
Base:	RG	Eff. Date:	07-18-2019	Leads:	9#14		

Specs			
Catalog Number:	EM3314T-BG	Insulation Class:	H
Enclosure:	OPSB	Inverter Code:	Inverter Ready
Frame:	215T	KVA Code:	G
Frame Material:	Steel	Lifting Lugs:	Standard Lifting Lugs
Output @ Frequency:	15.000 HP @ 60 HZ	Locked Bearing Indicator:	Locked Bearing
Synchronous Speed @ Frequency:	3600 RPM @ 60 HZ	Motor Lead Quantity/Wire Size:	9 @ 14 AWG
Voltage @ Frequency:	460.0 V @ 60 HZ	Motor Lead Exit:	Ko Box
	230.0 V @ 60 HZ	Motor Lead Termination:	Flying Leads
XP Class and Group:	None	Motor Type:	3734M
XP Division:	Not Applicable	Mounting Arrangement:	F1
Agency Approvals:	CSA	Power Factor:	89
	CSA EEV	Product Family:	General Purpose
	UR	Pulley End Bearing Type:	Ball
Auxillary Box:	No Auxillary Box	Pulley Face Code:	Standard
Auxillary Box Lead Termination:	None	Pulley Shaft Indicator:	Standard
Base Indicator:	Rigid	Rodent Screen:	None
Bearing Grease Type:	Polyrex EM (-20F +300F)	Shaft Extension Location:	Pulley End
Blower:	None	Shaft Ground Indicator:	Shaft Grounding

<b>Current @ Voltage:</b>	17.500 A @ 460.0 V	<b>Shaft Rotation:</b>	Reversible
	35.000 A @ 230.0 V	<b>Shaft Slinger Indicator:</b>	No Slinger
<b>Design Code:</b>	B	<b>Speed Code:</b>	Single Speed
<b>Drip Cover:</b>	No Drip Cover	<b>Motor Standards:</b>	NEMA
<b>Duty Rating:</b>	CONT	<b>Starting Method:</b>	Direct on line
<b>Electrically Isolated Bearing:</b>	Not Electrically Isolated	<b>Thermal Device - Bearing:</b>	None
<b>Feedback Device:</b>	NO FEEDBACK	<b>Thermal Device - Winding:</b>	None
<b>Front Face Code:</b>	Standard	<b>Vibration Sensor Indicator:</b>	No Vibration Sensor
<b>Front Shaft Indicator:</b>	None	<b>Winding Thermal 1:</b>	None
<b>Heater Indicator:</b>	No Heater	<b>Winding Thermal 2:</b>	None

<b>Nameplate NP3553LUA</b>										
<b>CAT.NO.</b>	EM3314T-BG									
<b>SPEC.</b>	37N346S867G1									
<b>HP</b>	15									
<b>VOLTS</b>	230/460									
<b>AMPS</b>	35/17.5									
<b>RPM</b>	3500									
<b>FRAME</b>	215T				<b>HZ</b>	60			<b>PH</b>	3
<b>SF</b>	1.15		<b>CODE</b>	G	<b>DES</b>	B		<b>CLASS</b>	H	
<b>NEMA NOM. EFF</b>	90.2		<b>PF</b>	89						
<b>RATING</b>	40C AMB-CONT									
<b>CC</b>	010A				<b>USABLE AT 208V</b>					
<b>DE</b>	6307				<b>ODE</b>	6206				
<b>ENCL</b>	OPSB		<b>SN</b>							
<b>VPWM INVERTER READY</b>										
<b>CT30-60(2:1) VT3-60(20:1)</b>										
<b>USABLE AT</b>	50HZ 15HP 190/380V 41.6/20.8A								SF1.0	

Parts List		
Part Number	Description	Quantity
SA271421	SA 37N346S867G1	1.000 EA
RA258048	RA 37N346S867G1	1.000 EA
HA6361A01	LIFTING LUG FOR 37, 39 & 40 FRAME ZINC	2.000 EA
37CB3006	37 CB CASTING W/1.38 LEAD HOLE @ 6:00	1.000 EA
51XW2520A10	.25-20 X .62, TAPTITE II, HEX WSHR SLTD	2.000 EA
11XW1032G06	10-32 X .38, TAPTITE II, HEX WSHR SLTD U	1.000 EA
37EP3203A00	MASTER,ODE,206 BRG,GREASER	1.000 EA
HW4500A01	1641B(ALEMITE)400 UNIV, GREASE FITT	1.000 EA
HW5100A06	W2420-025 WVY WSHR (WB)	1.000 EA
37EP3204B00	MASTER,DE,307 BRG,GREASER,LOCKED BEARING	1.000 EA
10XN2520A28	1/4-20X 1 3/4 HEX HD	4.000 EA
HW1001A25	LOCKWASHER 1/4, ZINC PLT .493 OD, .255 I	4.000 EA
HW4500A01	1641B(ALEMITE)400 UNIV, GREASE FITT	1.000 EA
XY3118A12	5/16-18 HEX NUT DIRECTIONAL SERRATION	4.000 EA
37CB4516	LIPPED LID FOR 37 FRAME NEC KOBX	1.000 EA
51XW0832A07	8-32 X .44, TAPTITE II, HEX WSHR SLTD SE	4.000 EA
HW2501F21	KEY, 5/16 SQ X 2.375	1.000 EA
HA7000A02	KEY RETAINER RING, 1 1/8 DIA, 1 3/8 DIA	1.000 EA
85XU0407S04	4X1/4 U DRIVE PIN STAINLESS	2.000 EA
LB1115N	LABEL,LIFTING DEVICE (ON ROLLS)	1.000 EA
LB1508	LABEL "SHAFT GROUNDING BRUSH" 1.50 X .81	1.000 EA
MJ1000A02	GREASE, MOBIL POLYREX EM - 124047	0.050 LB
MG1000Y03	MUNSELL 2.53Y 6.70/ 4.60, GLOSS 20,	0.028 GA
HA3104A39	THRUBOLT-5/16-18 X 12.250	4.000 EA

<b>Parts List (continued)</b>		
<b>Part Number</b>	<b>Description</b>	<b>Quantity</b>
37AD2001A01	BAFFLE PLATE, PLASTIC 0.63" WIDTH	2.000 EA
LC0005E01	CONN.DIA./WARNING LABEL (LC0005/LB1119N)	1.000 EA
MN416A01	TAG-INSTAL-MAINT no wire (1200/bx) 3/19	1.000 EA
NP3553LUA	ALUM SUPER-E VPWM INVERTER READY UL	1.000 EA
36PA1001	PKG GRP, PRINT PK1017A06	1.000 EA
PE-0000001	ZRTG PE ASSEMBLY	1.000 EA
FE-0000001	ZRTG FE ASSEMBLY	1.000 EA

**AC Induction Motor Performance Data**

Record # 48209 - Typical performance - not guaranteed values

<b>Winding:</b> 37WGS867-R002	<b>Type:</b> 3734M	<b>Enclosure:</b> OPSB
-------------------------------	--------------------	------------------------

Nameplate Data				460 V, 60 Hz: High Voltage Connection	
Rated Output (HP)	15			Full Load Torque	22.6 LB-FT
Volts	230/460			Start Configuration	direct on line
Full Load Amps	35/17.5			Breakdown Torque	92 LB-FT
R.P.M.	3500			Pull-up Torque	28.5 LB-FT
Hz	60	Phase	3	Locked-rotor Torque	37.5 LB-FT
NEMA Design Code	B	KVA Code	G	Starting Current	109 A
Service Factor (S.F.)	1.15			No-load Current	5.49 A
NEMA Nom. Eff.	90.2	Power Factor	89	Line-line Res. @ 25°C	0.675 Ω
Rating - Duty	40C AMB-CONT			Temp. Rise @ Rated Load	46°C
S.F. Amps				Temp. Rise @ S.F. Load	58°C
				Locked-rotor Power Factor	32.8
				Rotor inertia	0.31 LB-FT <sup>2</sup>

Load Characteristics 460 V, 60 Hz, 15 HP

% of Rated Load	25	50	75	100	125	150	S.F.
Power Factor	58	78	86	89	89	88	89
Efficiency	90.3	92.5	92.1	90.8	89.4	87.2	90
Speed	3572	3545	3515	3480	3441	3399	3457
Line amperes	6.69	9.59	13.2	17.3	22	27.3	20.1

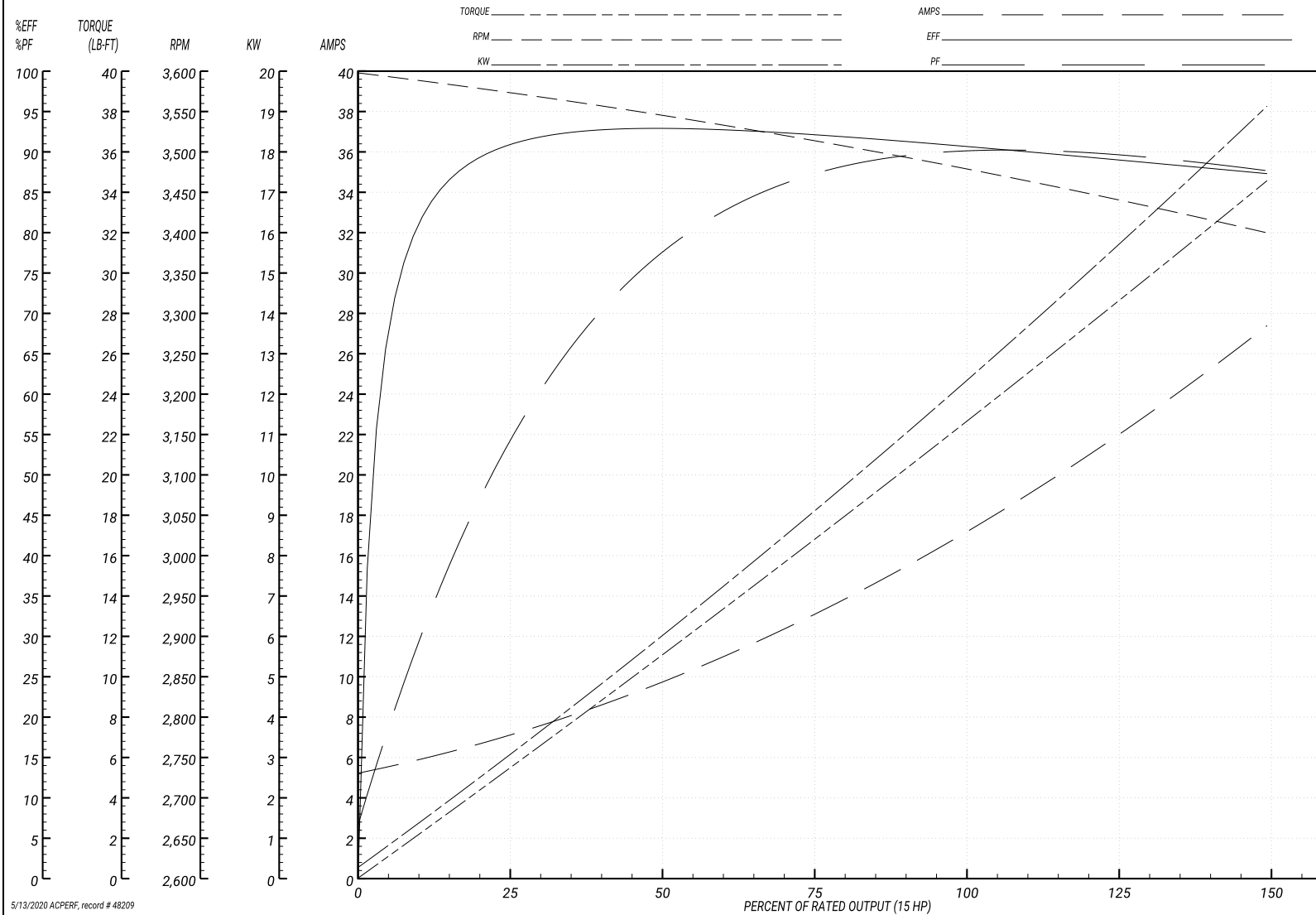
Performance Graph at 460V, 60Hz, 15.0HP Typical performance - Not guaranteed values

ABB Motors and Mechanical Inc.

WINDING # 37WGS867

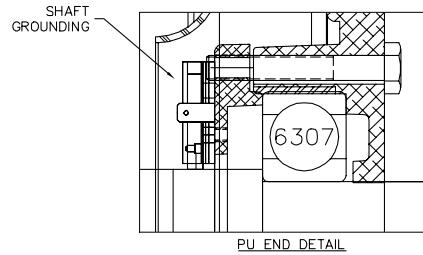
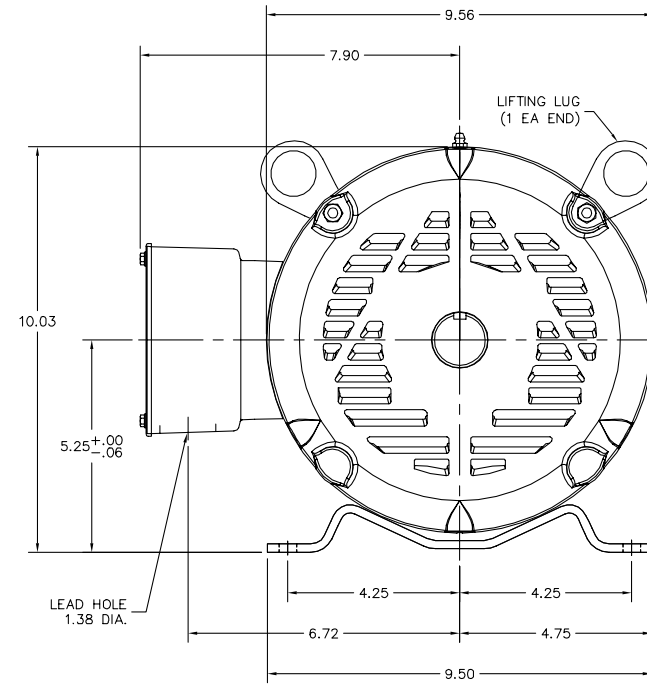
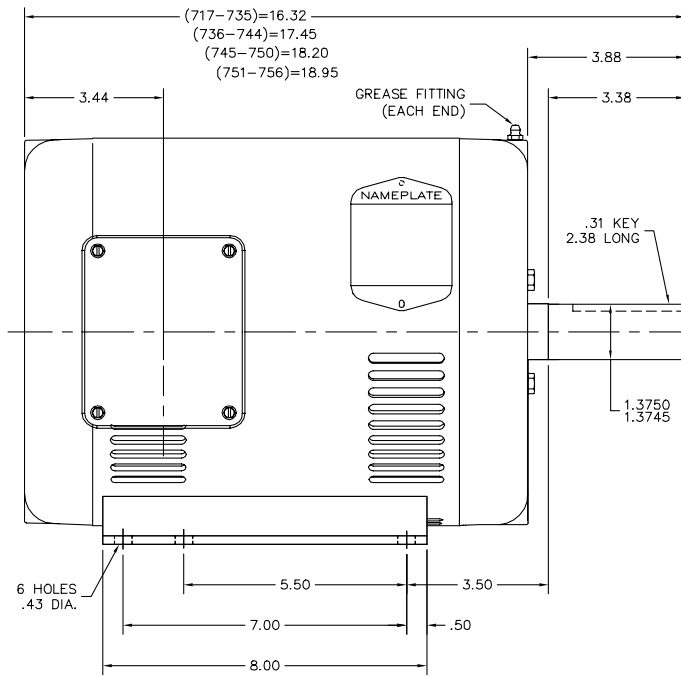
Typical performance - not guaranteed values.

15 HP 3 PH 60 HZ 3500 RPM 460 V 3734M  
 TORQUES(LB-FT): PO=92 PU=28.5 LR=37.5 LRA=109



5/13/2020 ACPERF, record # 48209

37LYN346



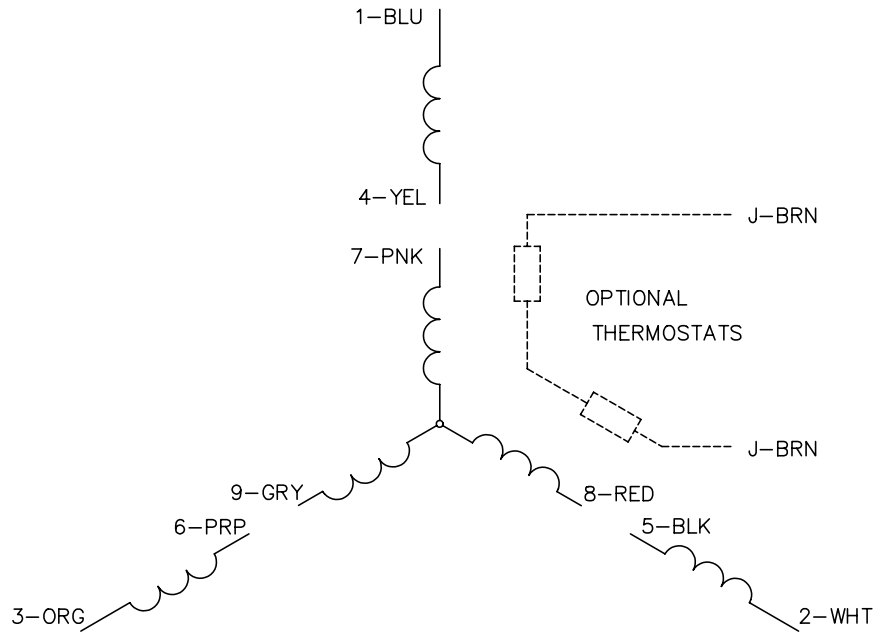
CUSTOMER IS RESPONSIBLE FOR DETERMINING THAT BALDOR'S PRODUCT WILL PERFORM SUITABLY IN THE INTENDED APPLICATION.

REV. DESC: CORRECT LAYERS		
REV. LTR: C	VERSION: 03	TDR: 000001046695
FILE: \AAA\00204\478	REVISED: 11:17:09 11/02/2017	BY: ENBRAMO
MTL: -		

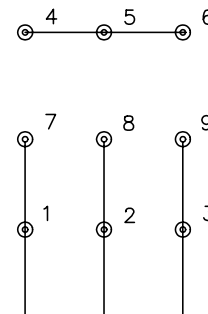
**BALDOR**  
 HORZ 213-5T OPSB 37M, BALDOR INT SHAFT GND  
 SH 1 of 1

37LYN346

CD0005

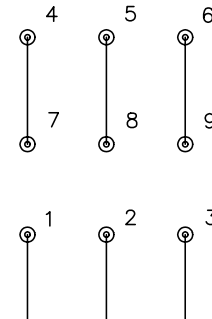


LOW VOLTAGE  
(2Y)



LINE

HIGH VOLTAGE  
(1Y)



LINE

NOTES:

1. INTERCHANGE ANY TWO LINE LEADS TO REVERSE ROTATION.
2. OPTIONAL THERMOSTATS ARE PROVIDED WHEN SPECIFIED.
3. ACTUAL NUMBER OF INTERNAL PARALLEL CIRCUITS MAY BE A MULTIPLE OF THOSE SHOWN ABOVE.
4. LEAD COLORS ARE OPTIONAL. LEADS MUST ALWAYS BE NUMBERED AS SHOWN.

REV. DESC: REVISE TO SHOW OPTIONAL COLORS			
REV. LTR: E	BY: JLP	REVISED: 01/19/99 10:15	TDR: 0171435
900000		FILE: AAA00005140	MDL: -
		MTL: -	

**BALDOR ELECTRIC Co.**

3PH, DV, 9 LEADS

CD0005